



TakeTemps™

Turnkey Thermal Monitoring Station

Keep Your Doors Open & Safe From Illness

HOW IT WORKS

TakeTemps™ Body Thermal Detection Monitoring Solution by NUUO is a simple, fully integrated hardware and software system capable of providing touchless temperature screening of multiple people within a 3-meter range - depending on the entry opening. The Dual Sensor IP Camera and Self-Contained Monitoring Station can be set up in minutes and require no special training for use.

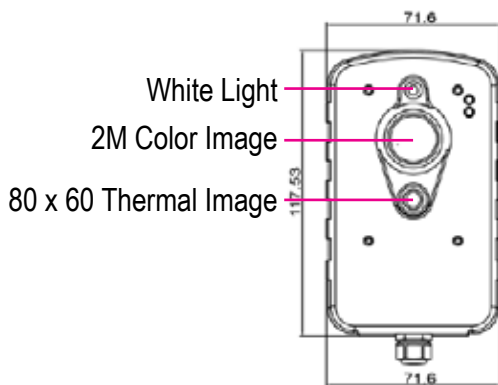
The camera(s) mounts easily overhead and is directly connected to the monitoring station to provide an accurate, initial temperature screening* in real time. An easy-to-use control panel displays both a visible video and thermal video of the screened subject. When an abnormal temperature is found, a pop-up alarm informs the monitoring system operator who can then request the person to do a secondary temperature measurement before entering the location.

The patented technology in the NUUO system can quickly and efficiently screen volumes of customers, employees or students entering any indoor lobby, hallway or access point and maintain a safe social distance for the operator while preventing feverish people from entering. Businesses and institutions can reopen or stay open while providing a safer environment to protect against illness.

Any Indoor Location:

- Commercial/Industrial
- Gyms
- Public Facilities
- Restaurants
- Retail
- Schools

Dual Sensor IP Camera



Self-Contained Monitoring Station

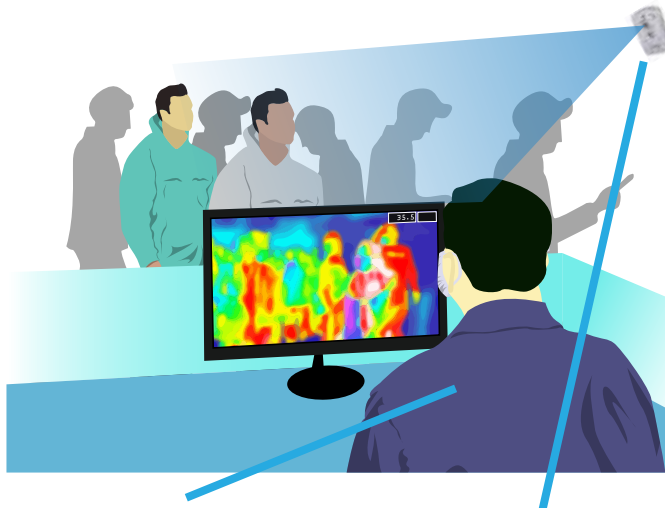


NOW SHIPPING!

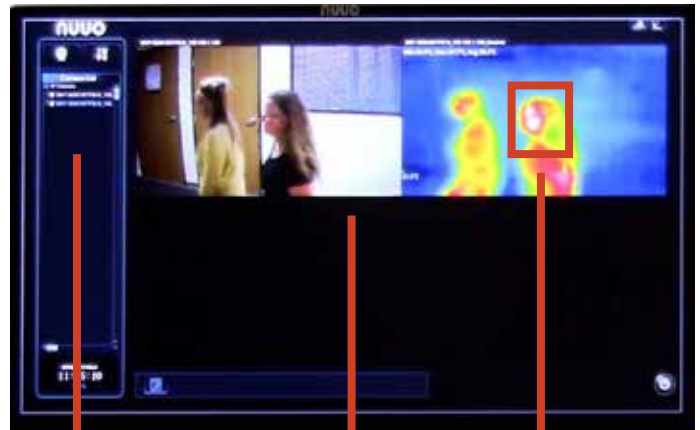
WHY TAKETEMPS™

- Real Time Fever Detection
- Touchless - Reduced Contamination Risk For Operator
- High Temperature Alarm Pop Up
- Allows for Screening of 10 - 15 People at Once
- Integrated Plug N Play Hardware & Software
- Lower-Cost Alternative for a Complete System
- Assembled in the USA

TakeTemps™ EXPLAINED



- Safe social distance for operator
- Proximity Camera Sensor Location - 3-meter range



- Easy to use Control Panel
- Visible Video and Thermal Video
- Alarm Pop Up - Body Temperature Above Normal

KEY FEATURES

CAMERA

MONITORING STATION

- 2 MP Visible Light Spectrum Camera Combined with a Thermal Detection Camera
- Pandemic Fever Detection*
- Eliminates the Need to Manually Scan Students / Employees with a Hand Scanner (Reduces the Risk of Contaminating the Device Operator)**
- 3 Meter Detection Zone (Indoor Only)
- Includes Main Console IP+ Camera License & Thermal Analytic License
- Supports Live View (No Recording) as a Standalone System with a Windows Based PC when not Connected to a NUUO® Main Console VMS System

- Elevated Temperature Detection Using NTD-10 Non-Contact Dual Sensor Thermal Camera
- Self-Contained Unit with Analytics & Video Monitoring Software
- Liveview Monitoring with Audible & Visual Event Notification
- Powers & Supports up to Four NTD-10 Thermal Cameras
- Provides Both Thermal & Visible Images Simultaneously
- Systems can Screen Multiple Personnel at the Same Time
- High Throughput-Reduces Screening Time

Assembled in the USA from TAA compliant country components where necessary. NUUO has been in business since 2004 and has an award-winning history with a full line of video surveillance equipment



* Not a medical device and is not designed or intended for diagnosis, prevention, or treatment of any disease or condition. The solution is a screening tool that business can use to identify individuals with an elevated skin temperature. It is recommended that a contactless thermometer is used as a secondary check for anyone showing an elevated temperature during the initial scan.

BECHTEL
Companies Solutions

1-951-253-3868 • TakeTemps.com
info@TakeTemps.com